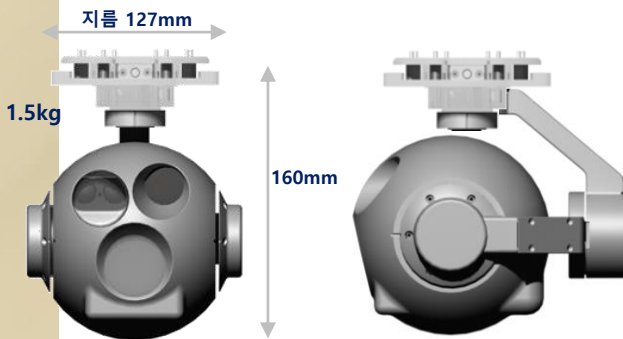
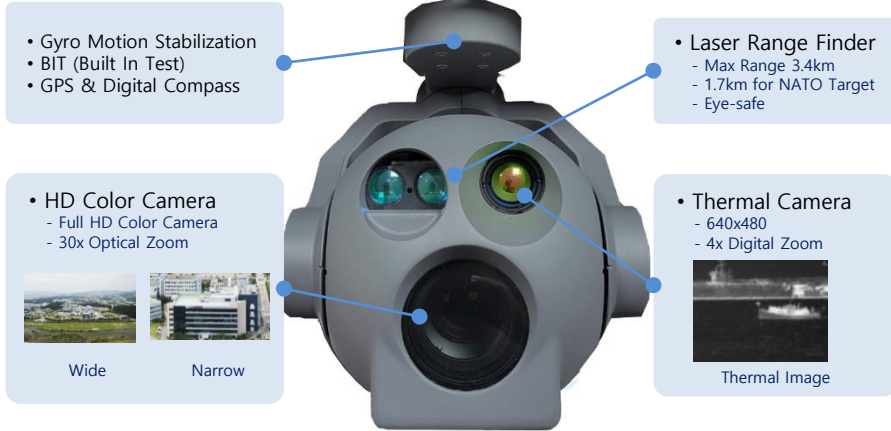


3 Axis Gyro Stabilized Auto Tracking Camera

SR-A100

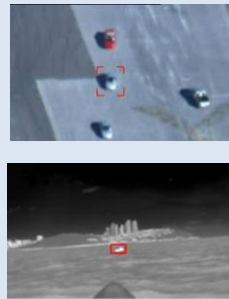
■ Main Feature

- Ultra Light for Drone/UAV
- Full HD 30x Zoom Camera
- Thermal Imaging Camera
- Laser Range Finder(Optional)
- 3 Axis Gyro Stabilization
- Image Stabilization Software
- Auto Tracker (Option)

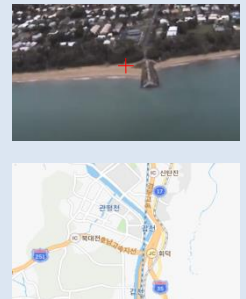


Auto Tracking (Option)

Auto video Tracking



Geo Lock Feature



■ Application



Drone





UAV



Ground Robot

3 Axis Gyro Stabilized Auto Tracking Camera

SR-A100

ITEM		SR-A100 EO/IR/LRF	SR-A100 EO/IR
			
Thermal Camera	Spectral Range:	Uncooled, 8 to 14 μ m	Uncooled, 8 to 14 μ m
	Resolution:	640 x 480	640 x 480
	Zoom	4x D-Zoom	4x D-Zoom
	Focal Length:	25mm, 18° Typical	25mm, 18° Typical
	Pixel Pitch:	12 μ m	12 μ m
	Detection(NATO)**	2.2km	2.2km
	Recognition(NATO)**	600m	600m
Color Camera	Sensor Type	1/1.8" Global Shutter	1/1.8" Global Shutter
	Image Resolution	1920 x 1080 or 1280 x 720	1920 x 1080 or 1280 x 720
	Zoom	30x Optical Zoom	30x Optical Zoom
	FOV	H 60°(Wide) ~ 2°(Tele)	H 60°(Wide) ~ 2°(Tele)
	Detection(NATO)**	2.2km	2.2km
	Recognition(NATO)**	600m	600m
Spotter Camera (Option)	Wavelength	Visible Range	Visible Range
	Image Resolution	1920x1080 or 1280x720	1920x1080 or 1280x720
	FOV	0.7°, 2x, 4x Digital Zoom	0.7°, 2x, 4x Digital Zoom
Laser Ranger Finder	Wavelength	1550 nm	N/A
	Detection Range	1.7km (Max 3km)	N/A
	Accuracy	1 ~ 1.5m	N/A
Gimbal	Diameter	127 mm	127 mm
	W x D x H :	134 x 166 x 160 mm	134 x 166 x 160 mm
	Weight:	< 1.5 kg	< 1 kg
	Pan Range :	+180~-180°	+180~-180°
	Tilt Range :	-30° ~ +120°	-30° ~ +120°
	Roll Range :	-45° ~ +45°	-45° ~ +45°
	Max Speed:	Pan : 60°/s, Tilt : 30°/s	Pan : 60°/s, Tilt : 30°/s
	Power Requirement:	12 VDC, <10W @ Idle	12 VDC, <10W @ Idle
Operating Temperature:	-30°C to +55°C	-30°C to +55°C	
Gyro:	3 Axis Gyro Stabilization (Pitch, Roll, Yaw)	3 Axis Gyro Stabilization (Pitch, Roll, Yaw)	

* Thermal Camera may be replaceable with various focal length

** Range depends on whether condition 50% probability